

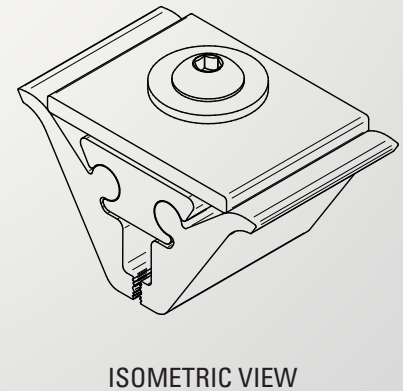
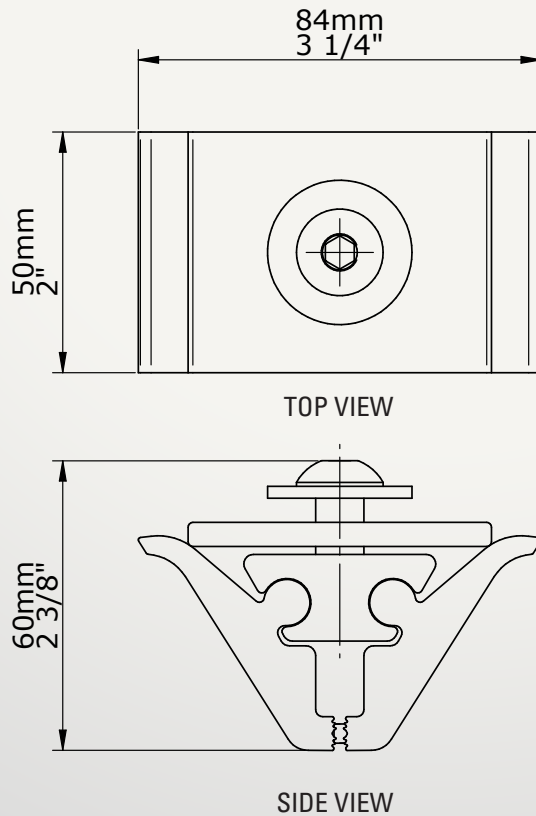
Art. : Double fold seam clamp

Version: No.1 - 3/8/2016

Art. no. : 11781

Description

The Double fold seam clamp (4 units per kit) is used to fix the XTrusion base to double folded standing seam roof profiles with a minimum thickness of 0,8 mm (22 gauge).



COMPONENT SPECIFICATIONS

Art. no.	Material	Dimensions mm (inch)	Weight in kg (lbs)
11781	Anodized aluminum	84x50x60 mm (3 1/4" x 2" x 2 3/8")	0,3 kg (0.6 lbs)

COMPATIBILITY & WARNINGS

1. Example of a compatible roof profile: Rheinzinc.
2. Used in combination with art. 11405/11705 - XTrusion.

Standards and requirements

XSPlatforms fall arrest systems are designed to meet the requirements of:

1. EN795:2012 type A & C
2. OSHA 1910.66 App C
3. OSHA 1926 Sub M
4. ANSI Z259.1-2007 & ANSI Z359.6-2009
5. CSA Z259.16-04
6. AS/NZS 1891.2 & AS/NZS 5532

Contact

For questions or inconveniences about the product, the installation or use of it, please contact your supplier or XSPlatforms.

Supplier:

Disclaimer

XSPlatforms believes that the information in this technical data sheet is an accurate description of the typical uses of the product. XSPlatforms, however, disclaims any liability for incidental or consequential damages, which may result from the use of the product that are beyond its control. Customers must satisfy themselves as to the suitability of this product for their application. XSPlatforms maintains the right to change and alter the product composition and production process and thereby the performance characteristics of the product at all times without notice.

For questions about the installation of this product, please refer to the manual for details or contact your supplier or XSPlatforms.