

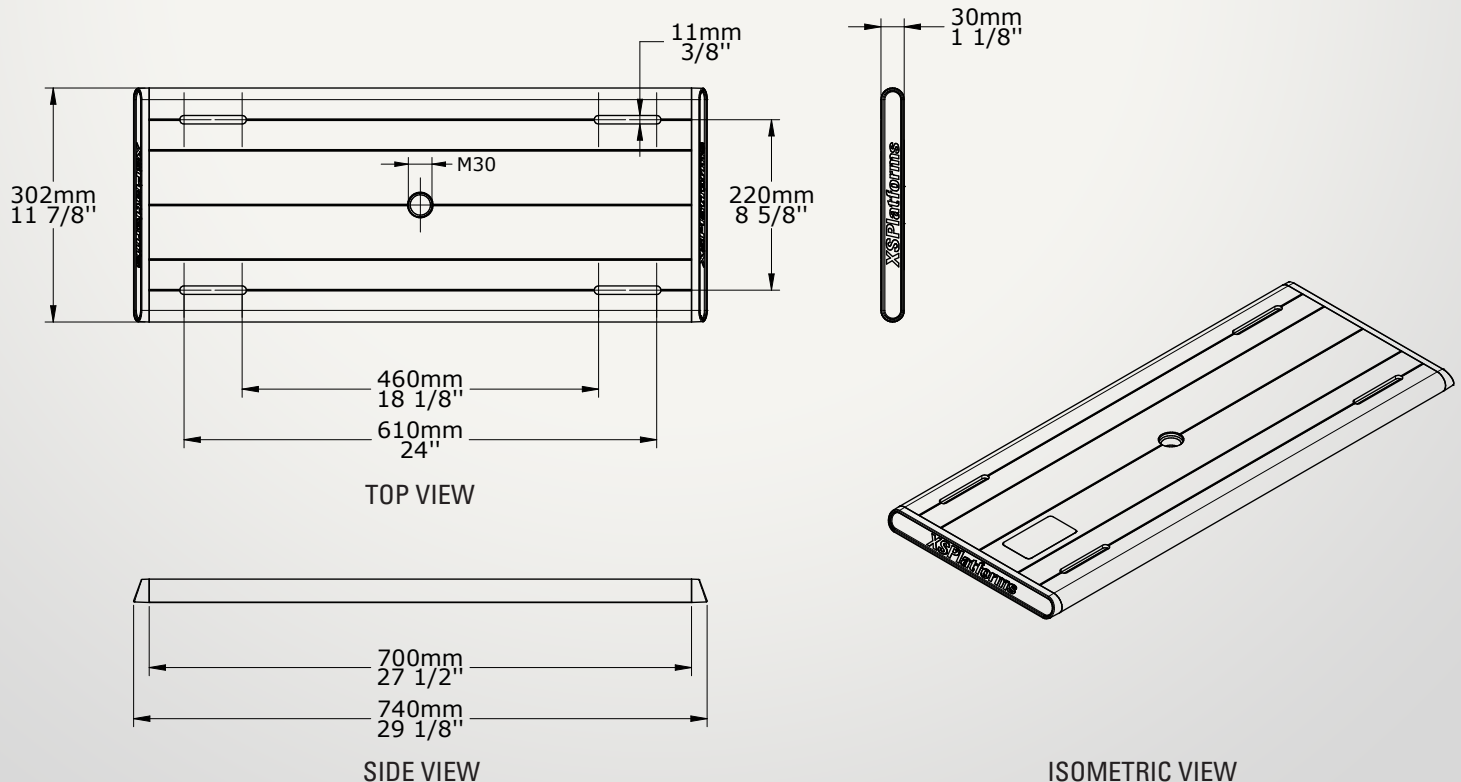
Art. : XTrusion 700

Version: No.1 - 2/8/2016

Art. no. : 11405

Description

The XTrusion can be used as a single anchor point, or as an anchor for a horizontal lifeline system such as an XSLinked or LinkedPro system. The XTrusion is designed to create a fall arrest or fall restraint system, to provide safety for work on (steel) standing seam roofs and trapezoidal steel roofs without insulation.



COMPONENT SPECIFICATIONS

Art. no.	Material	Dimensions mm (inch)	Weight in kg (lbs)
11405	AISI 316 Adonized aluminum ASA	740x302x30 mm (29 1/8"x11 7/8"x1 1/8")	4,6 kg (10.1 lbs)

COMPATIBILITY & WARNINGS

- XTrusion 700 be installed on three main types of roofing materials: aluminum standing seam (min. 0,9 mm/20 gauge) with kit #11780, double folded zinc (min. 1 mm/1/16") with kit #11781, or trapezoidal steel deck (min. 0,6 mm/24 gauge) with kit #11783.
- The XTrusion 700 covers standing seam distances from 460 mm to 610 mm (18 1/8" to 24").
- Do not use the XTrusion as a support for hoisting and lifting purposes.
- When used as a single anchor point; do not use the XTrusion with more than 1 person at a time.
- If used for horizontal lifeline systems; please refer to the ODIN lifeline calculation tool for the maximum number of users allowed.

Standards and requirements

XSPlatforms fall arrest systems are designed to meet the requirements of:

- EN795:2012 type A & C
- OSHA 1910.66 App C
- OSHA 1926 Sub M
- ANSI Z259.1-2007 & ANSI Z359.6-2009
- CSA Z259.16-04
- AS/NZS 1891.2 & AS/NZS 5532

Contact

For questions or inconveniences about the product, the installation or use of it, please contact your supplier or XSPlatforms.

Supplier:

Disclaimer

XSPlatforms believes that the information in this technical data sheet is an accurate description of the typical uses of the product. XSPlatforms, however, disclaims any liability for incidental or consequential damages, which may result from the use of the product that are beyond its control. Customers must satisfy themselves as to the suitability of this product for their application. XSPlatforms maintains the right to change and alter the product composition and production process and thereby the performance characteristics of the product at all times without notice.

For questions about the installation of this product, please refer to the manual for details or contact your supplier or XSPlatforms.